

TD-1000 SERIES SINGLE TRAY CARD DISPENSER



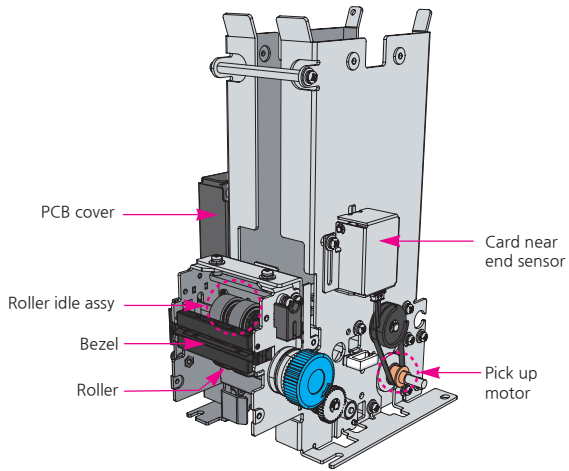
APPLICATION

- Membership card
- Pre-paid card
- Transportation card
- Kiosk
- Vending machine
- Gift card

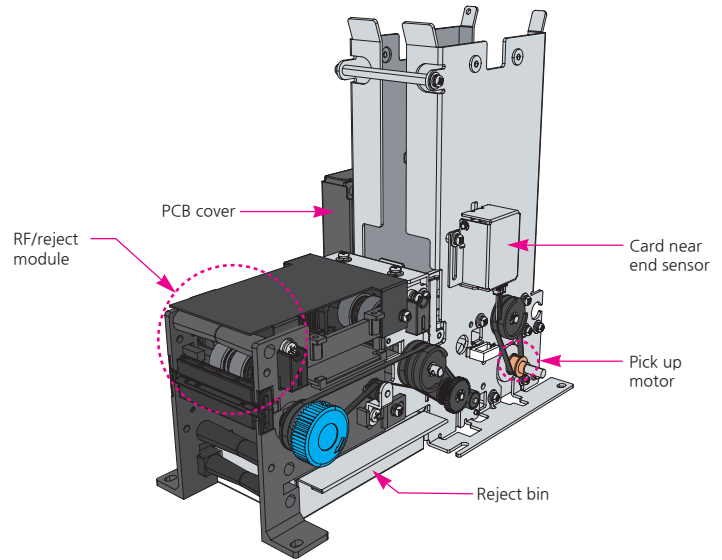
FEATURE

- Very compact and robust structure
- Various Hopper Capacity : 150, 300, 500 cards (0.76mm)
- Various Card Thickness : 0.2mm~1.0mm
- Fast Card Dispensing : 0.6 ~1.0 sec/ card
- RF Contactless encoding: ISO 1443 Type A/B, Mifare, NFC, Desfire etc
- Capture/Reject card function(optional)

TD-1000 SERIES SINGLE TRAY CARD DISPENSER



[TD1000-U/R100]



[TD1000 with Reject/RF option]

SPECIFICATIONS

ITEM	SUB ITEM	DESCRIPTION
Card	Card Thickness	0.2mm~1.0mm
	Format	CR79 85.7mm x 52.1mm / 3.303" x 2.051" CR80 (ISO/IEC7810) 85.6mm x 54mm / 3.375" x 2.125"
	Supportive Card Material	PVC, PET
Optional	Card Hopper Capacity	150cards/300cards/500cards (0.76m)
	Contactless smart cards	ISO14443 type A/B, Mifare, Desfire, ISO 18092 (NFC) *Other encoding options are available upon request.
	Card Capture function	Retract uncollected / error card (Spring / Solenoid)
High Speed Card Dispensing		0.6 ~ 1.0 sec/card
Remaining Card Check		Low card level warning, Empty card hopper error
Interface		RS232C or USB
Power		24V ±10%, 5A
Temperature	Operating	5°C ~ 40°C
	Storage	-10 ~ 60°C
Humidity	Operating	20 ~ 80%RH
	Storage	20 ~ 80%RH
Dimensions	TD-1000-U/R100	100(W) x 149(L) x 217(H) / 150 pcs
	TD-1000-U/R200	100(W) x 149(L) x 326(H) / 300 pcs
	TD-1000-U/R300	100(W) x 149(L) x 478(H) / 500 pcs
	TD-1000-U/R11R	100(W) x 232(L) x 217(H) / 150 pcs
	TD-1000-U/R21R	100(W) x 232(L) x 326(H) / 300 pcs
	TD-1000-U/R31R	100(W) x 232(L) x 478(H) / 500 pcs
Limited Warranty		1-year limited warranty

Specifications are subject change without notice